



OVERVIEW

Superior low light performance USB camera capable of 1080p@30fps with h.264 on-board compression codec featuring Aptina AR0330 sensor in a solid aluminum case.

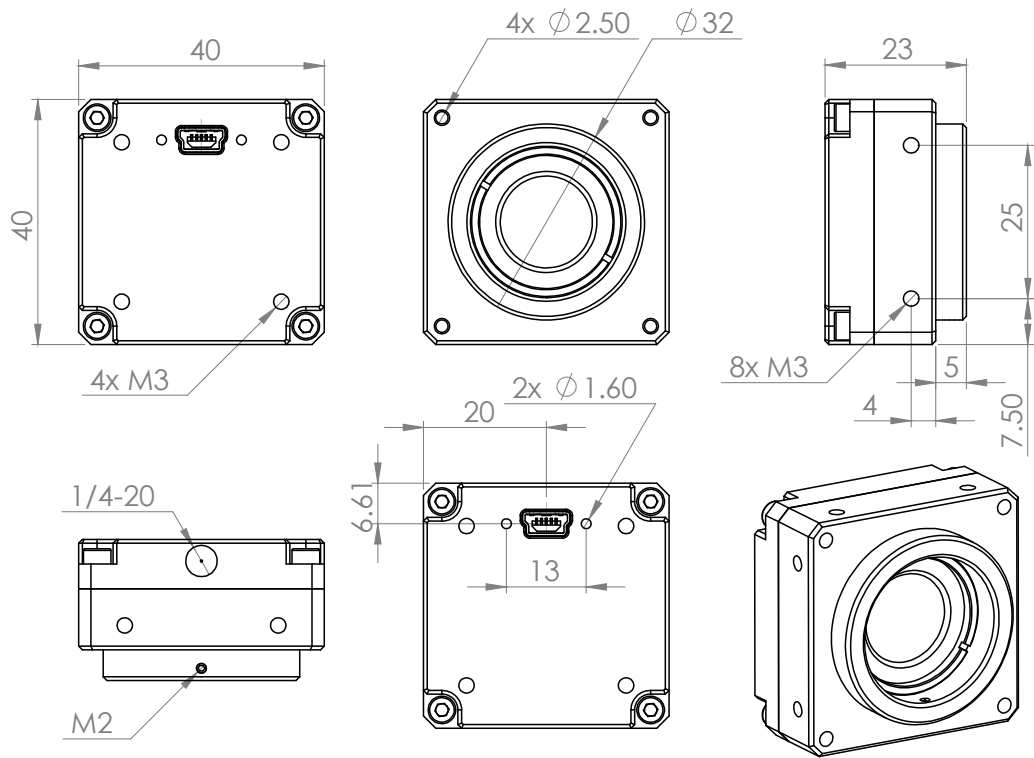
FEATURES

- High quality industrial 6061-T6 black anodized aluminium case
- 1"-20TPI mount for CS lens
- Multiple mounting options (all side walls and top has M3 tapped holes) for machine vision or robotics
- 1/4"-20TPI UNC thread for tripod mounting
- Format: 1/3-inch (5.8mm)
- Sensor: Aptina AR0330
- Imaging area: 2304H x 1536V (5.07mm x 3.38mm)
- Sensor pixel size: 2.2 μ m x 2.2 μ m
- Sensor dynamic range: 72.4dB
- Sensor sensitivity: 1.9 V/lux-sec (550nm)
- YUY2/MJPEG/h.264 compression
- UVC compatible
- USB 2.0
- 3D model can be found at: https://github.com/Kurokesu/3d_models
- Interchangeable filters (Low pass 650nm installed by default)
- Non cropped sensor operation in all resolutions
- Each camera has unique serial number
- Multiple cameras can be connected to single host

SPECIFICATIONS

Pixels	2304H x 1536V
Sensor size	1/3-inch / 5.8mm
Imaging area	5.07mm x 3.38mm
Shutter	Electronic Rolling Shutter
Sensitivity	1.9 V/lux-sec (550nm)
Sensor dynamic range	72.4dB
Sensor pixel size	2.2µm x 2.2µm
Frame rates	<p>h.264 – 30fps in all modes MJPG – 30fps in all modes YUV 4:2:2 (YUYV)</p> <ul style="list-style-type: none"> • 1920x1080 – 5fps • 1280x720 – 10fps • 640x480 – 30fps
Output dimensions	1920x1080, 1280x720, 640x480, 640x360, 320x240, 320x180
Scan	Progressive
Manual control	<ul style="list-style-type: none"> • Exposure • White balance (2800°K – 9300°K) • Gain • Gamma • Backlight compensation • Sharpness, Contrast, Saturation, Hue, Brightness, Anti-flicker frequency
Rated power	<ul style="list-style-type: none"> • 2W max • 350mA @ 5V – h.264 • 290mA @ 5V – MJPEG / YUYV
Interchangeable filter	17x17x0.5mm. Low pass 650nm filter installed by default, high pass 930nm filter available on request
Supported OS	<ul style="list-style-type: none"> • Windows XP, 7, 8, 10 • OSX • Linux • Android
Sensor	Aptina AR0330
Weight	53g
Dimensions	40x40x23mm
Lens mount	C / CS-mount
Operational temperature	-50 ... 85°C

DIMENSIONS



650NM HIGH PASS FILTER TRANSMISSION CHART

